

Customer Replacement Procedure

EMC Unity™ Family

EMC Unity™ Hybrid

Replacing a faulted 15-drive DAE power supply and cooling module

302-002-597

REV 01

May, 2016

This document describes how to replace a faulted 15-drive DAE power supply and cooling module in the Unity 300, Unity 400, Unity 500, Unity 600.

The power supply and cooling module, sometimes referred to as a power/cooling module, is accessible from the rear of the enclosure. Each DAE contains two redundant power/cooling modules, one per side of the DAE (A or B).

Note

You do not have to power down any components to replace a faulted power supply and cooling module.

-
- [Before you start](#)..... 2
 - [Identifying and locating the faulted 15-drive DAE power supply and cooling module](#)..... 7
 - [Replacing the faulted 15-drive DAE power supply and cooling module](#)..... 8
 - [Verifying the operation of the 15-drive DAE power supply and cooling module](#)..... 10
 - [Returning a faulted part](#)..... 11

Before you start

Before you begin this procedure, ensure that you have received the new part and have correctly identified its intended location in the system. Refer to your Unisphere **Service** section for instructions on how to identify failures, order new parts, and handle hardware components.

Additional resources

As part of an effort to improve its product lines, EMC periodically releases revisions of its software and hardware. Therefore, some functions described in this document might not be supported by all versions of the software or hardware currently in use. The product release notes provide the most up-to-date information on product features. Contact your EMC technical support professional if a product does not function properly or does not function as described in this document.

Where to get help

Support, product, and licensing information can be obtained as follows:

Product information

For product and feature documentation or release notes, go to Unity Technical Documentation at: www.emc.com/en-us/documentation/unity-family/index.htm. You can also access this page from the Unity product family page at: www.emc.com/en-us/storage/unity.htm. In the **Why Unity** section, click **Unity Product Resources**.

Troubleshooting

For information about EMC products, software updates, licensing, and service, go to EMC Online Support (registration required) at: <https://Support.EMC.com>. After logging in, locate the appropriate **Support by Product** page.

Technical support

For technical support and service requests, go to EMC Online Support at: <https://Support.EMC.com>. After logging in, locate **Create a service request**. To open a service request, you must have a valid support agreement. Contact your EMC Sales Representative for details about obtaining a valid support agreement or to answer any questions about your account.

Special notice conventions used in this document

EMC uses the following conventions for special notices:



Indicates a hazardous situation which, if not avoided, will result in death or serious injury.



Indicates a hazardous situation which, if not avoided, could result in death or serious injury.



Indicates a hazardous situation which, if not avoided, could result in minor or moderate injury.

NOTICE

Addresses practices not related to personal injury.

Note

Presents information that is important, but not hazard-related.

Handling replaceable units

This section describes the precautions that you must take and the general procedures that you must follow when removing, installing, and storing any replaceable unit.

Avoiding electrostatic discharge (ESD) damage

When replacing or installing hardware units, you can inadvertently damage the sensitive electronic circuits in the equipment by simply touching them. Electrostatic charge that has accumulated on your body discharges through the circuits. If the air in the work area is very dry, running a humidifier in the work area will help decrease the risk of ESD damage. Follow the procedures below to prevent damage to the equipment.

Be aware of the following requirements:

- Provide enough room to work on the equipment.
- Clear the work site of any unnecessary materials or materials that naturally build up electrostatic charge, such as foam packaging, foam cups, cellophane wrappers, and similar items.
- Do not remove replacement or upgrade units from their antistatic packaging until you are ready to install them.
- Before you begin service, gather together the ESD kit and all other materials you will need.
- Once servicing begins, avoid moving away from the work site; otherwise, you may build up an electrostatic charge.
- Use ESD anti-static gloves or an ESD wristband (with strap).
 - If using an ESD wristband with a strap:
 - Attach the clip of the ESD wristband to the ESD bracket or bare metal on a cabinet/rack or enclosure.
 - Wrap the ESD wristband around your wrist with the metal button against your skin.
 - If a tester is available, test the wristband.
- If an emergency arises and the ESD kit is not available, follow the procedures in Emergency Procedures (without an ESD kit).

Emergency procedures (without an ESD kit)

In an emergency when an ESD kit is not available, use the following procedures to reduce the possibility of an electrostatic discharge by ensuring that your body and the subassembly are at the same electrostatic potential.

NOTICE

These procedures are not a substitute for the use of an ESD kit. Follow them only in the event of an emergency.

- Before touching any unit, touch a bare (unpainted) metal surface of the cabinet/rack or enclosure.
- Before removing any unit from its antistatic bag, place one hand firmly on a bare metal surface of the cabinet/rack or enclosure, and at the same time, pick up the unit while it is still sealed in the antistatic bag. Once you have done this, do not move around the room or touch other furnishings, personnel, or surfaces until you have installed the unit.
- When you remove a unit from the antistatic bag, avoid touching any electronic components and circuits on it.
- If you must move around the room or touch other surfaces before installing a unit, first place the unit back in the antistatic bag. When you are ready again to install the unit, repeat these procedures.

Hardware acclimation times

Systems and components must acclimate to the operating environment before applying power. This requires the unpackaged system or component to reside in the operating environment for up to 16 hours in order to thermally stabilize and prevent condensation.

Refer to the table, [Table 1 on page 4](#), to determine the precise amount of stabilization time required.

Table 1 Hardware acclimation times (systems and components)

If the last 24 hours of the TRANSIT/STORAGE environment was this:		...and the OPERATING environment is this:	...then let the system or component acclimate in the new environment this many hours:
Temperature	Humidity		
Nominal 68-72°F (20-22°C)	Nominal 40-55% RH	Nominal 68-72°F (20-22°C) 40-55% RH	0-1 hour
Cold <68°F (20°C)	Dry <30% RH	<86°F (30°C)	4 hours
Cold <68°F (20°C)	Damp ≥30% RH	<86°F (30°C)	4 hours
Hot >72°F (22°C)	Dry <30% RH	<86°F (30°C)	4 hours
Hot >72°F (22°C)	Humid 30-45% RH	<86°F (30°C)	4 hours
	Humid 45-60% RH	<86°F (30°C)	8 hours
	Humid ≥60% RH	<86°F (30°C)	16 hours
Unknown		<86°F (30°C)	16 hours

NOTICE

- If there are signs of condensation after the recommended acclimation time has passed, allow an additional eight (8) hours to stabilize.
 - Systems and components must not experience changes in temperature and humidity that are likely to cause condensation to form on or in that system or component. Do not exceed the shipping and storage temperature gradient of 45°F/hr (25°C/hr).
 - Do NOT apply power to the system for at least the number of hours specified in the table, [Table 1 on page 4](#). If the last 24 hours of the transit/storage environment is unknown, then you must allow the system or component 16 hours to stabilize in the new environment.
-

Removing, installing, or storing replaceable units

Use the following precautions when removing, handling, or storing replaceable units:

CAUTION

Some replaceable units have the majority of their weight in the rear of the component. Ensure that the back end of the replaceable unit is supported while installing or removing it. Dropping a replaceable unit could result in personal injury or damage to the equipment.

NOTICE

- For a module that must be installed into a slot in an enclosure, examine the rear connectors on the module for any damage before attempting its installation.
 - A sudden jar, drop, or even a moderate vibration can permanently damage some sensitive replaceable units.
-
- Do not remove a faulted replaceable unit until you have the replacement available.
 - When handling replaceable units, avoid electrostatic discharge (ESD) by wearing ESD anti-static gloves or an ESD wristband with a strap. For additional information, refer to [Avoiding electrostatic discharge \(ESD\) damage on page 3](#).
 - Avoid touching any exposed electronic components and circuits on the replaceable unit.
 - Never use excessive force to remove or install a replaceable unit. Take time to read the instructions carefully.
 - Store a replaceable unit in the antistatic bag and the specially designed shipping container in which you received it. Use the antistatic bag and special shipping container when you need to return the replaceable unit.
 - Replaceable units must acclimate to the operating environment before applying power. This requires the unpackaged component to reside in the operating environment for up to 16 hours in order to thermally stabilize and prevent condensation. Refer to [Hardware acclimation times on page 4](#) to ensure the replaceable unit has thermally stabilized to the operating environment.

NOTICE

Your storage system is designed to be powered on continuously. Most components are hot swappable; that is, you can replace or install these components while the storage system is running. However, the system requires that:

- Front bezels should always be attached to ensure EMI compliance. Make sure you reattach the bezel after replacing a component.
- Each slot should contain a component or filler panel to ensure proper air flow throughout the system.

Unpacking a part

Procedure

1. Wear ESD gloves or attach an ESD wristband to your wrist and the enclosure in which you are installing the part.
2. Unpack the part and place it on a static-free surface.
3. If the part is a replacement for a faulted part, save the packing material to return the faulted part.

Standard touch point colors

Touch points are component locations where you can:



- Grip the hardware to remove or install a component.
- Open or close a latch.
- Turn a knob to open, close, or adjust a component.

Standard touch point colors are terra-cotta (orange) or blue.

Note

Within this documentation, the color orange is used instead of terra-cotta for simplicity.

Table 2 Standard touch point colors

Touch point color	Description
Terra-cotta (orange) 	This color indicates that you can perform the task, such as remove a component with a terra-cotta (orange) lever, while the system remains powered (up/on). <hr/> <p>Note</p> Some tasks may require additional steps. <hr/>
Blue 	This color indicates that a shutdown of the system or component is required before you can perform the task, such as removing a component with a blue lever.

Identifying and locating the faulted 15-drive DAE power supply and cooling module

Before you replace a faulted 15-drive DAE power supply and cooling module, you must locate its placement within the storage system by using Unisphere.

Using Unisphere, locate the faulted 15-drive DAE power supply and cooling module in the enclosure.

Procedure

1. In Unisphere, select **System View**.
2. Select the **Enclosures** page.
3. Locate the faulted 15-drive DAE power supply and cooling module marked orange and displayed in the **Enclosure** view shown.

Unisphere automatically displays the view showing the 15-drive DAE power supply and cooling module requiring service.

Figure 1 Faulted power/cooling module location - example



Replacing the faulted 15-drive DAE power supply and cooling module

Take the following actions to remove the faulted 15-drive DAE power supply and cooling module and install the replacement 15-drive DAE power supply and cooling module into the system.

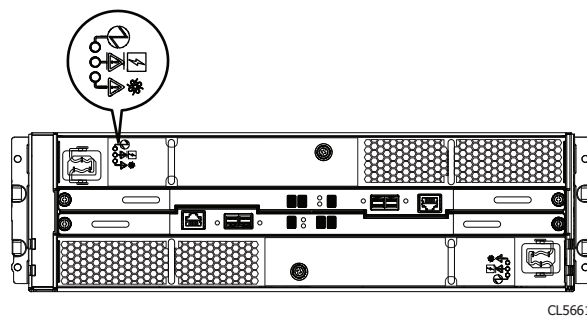
Removing a power cooling module

This procedure describes how to remove a power cooling module from the DAE

Before you begin

Identify the faulted power cooling module by its amber fault LED.

Figure 2 Power cooling module fault LED



CL5661

NOTICE

Access to the disks in your enclosure will time out and the disks will spin down two minutes after a power cooling module is removed from the enclosure. While the system can continue operating on a single power supply, the loss of a module's two blowers causes the DAE to power down unless you replace the module within two minutes. When replacing both cooling modules, ensure the green light on one module has been steadily on for at least 5 seconds before removing power from the second module.

Procedure

1. For a DC power cooling module, turn power off by toggling the module's power switch to the off position, then wait two minutes before removing the module.
2. Unplug the power cord [Figure 10](#) [Figure 10 on page 9](#) for an AC module or [Figure 11 on page 9](#) for a DC module.

Figure 3 Removing the AC power cord

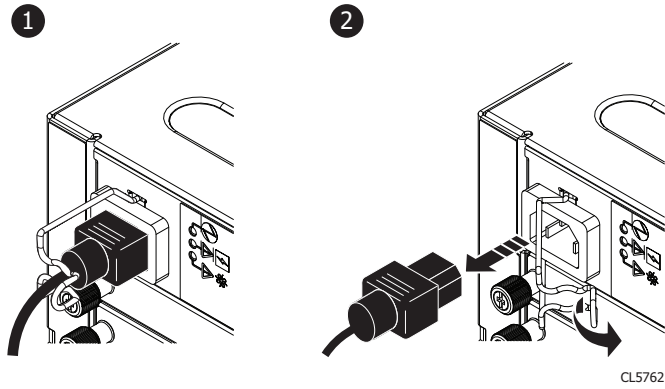
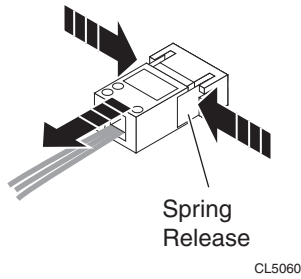


Figure 4 Removing the DC power cord

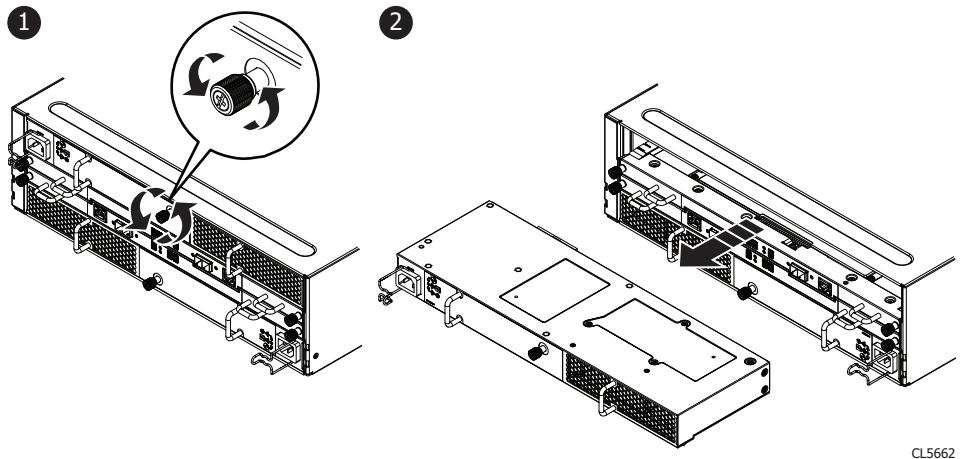


3. Turn the captive screw counterclockwise to release the power cooling module, and remove the module.

CAUTION

To protect a running system from overheating, the enclosure will power down unless you replace the power cooling module within two minutes.

Figure 5 Removing a power cooling module

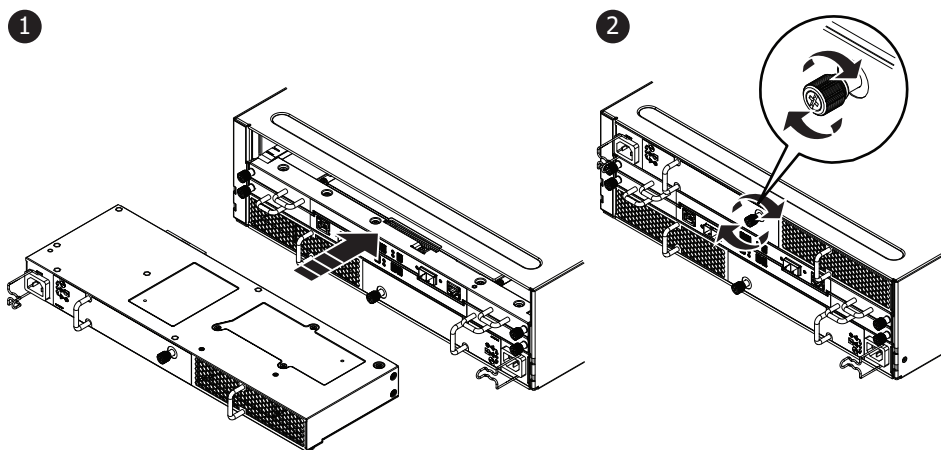


Installing a power/cooling module

Procedure

1. Gently insert the new power/cooling module into the enclosure, being sure the module is completely seated.
2. Secure the module with the captive screw.

Figure 6 Installing a power/cooling module



CL5664

Verifying the operation of the 15-drive DAE power supply and cooling module

Verify that the new 15-drive DAE power supply and cooling module is recognized by your system, and operating correctly using the procedure that follows.

Procedure

1. In Unisphere, select **System View**.
2. On the Summary page, confirm that the system status is OK.
3. Select the **Enclosures** page.
4. Verify that the 15-drive DAE power supply and cooling module appears with OK status in the enclosure view.

Select the 15-drive DAE with the **Enclosure** dropdown menu and then select the **Rear** view. Locate the new power/cooling module shown in this enclosure view.

Figure 7 Replacement power/cooling module location - example



If the system health monitor shows the part as faulted, contact your service provider.

Returning a faulted part

We appreciate the return of defective material within 5 business days (for US returns). For International customers, please return defective material within 5-10 business days. All instructions and material required to return your defective part were supplied with your good part shipment.

Procedure

1. Package the faulted part in the shipping box that contained the replacement part, and seal the box.
2. Ship the failed part to your service provider as described in the instructions that were included with the replacement part.
3. (Optional) For more information about returning customer-replaceable parts, from Unisphere, click **Support** > **Replace Disk Drives, Power Supplies, and Other Parts** > **Return a Part** to display the part return instructions.

If your screen does not show the **Return a Part** option, contact your service provider for instructions on what to do next.

Copyright © 2016 EMC Corporation. All rights reserved. Published in the USA.

Published May, 2016

EMC believes the information in this publication is accurate as of its publication date. The information is subject to change without notice.

The information in this publication is provided as is. EMC Corporation makes no representations or warranties of any kind with respect to the information in this publication, and specifically disclaims implied warranties of merchantability or fitness for a particular purpose. Use, copying, and distribution of any EMC software described in this publication requires an applicable software license.

EMC², EMC, and the EMC logo are registered trademarks or trademarks of EMC Corporation in the United States and other countries. All other trademarks used herein are the property of their respective owners.

For the most up-to-date regulatory document for your product line, go to EMC Online Support (<https://support.emc.com>).